

Hour meter

HK 47


Highlights

- price competitive meter
- excellent quality
- long lifetime
- all necessary approvals
- your branding available

Applications

- garden equipment
- farm equipment
- utility vehicles
- marine

Mechanical data

Front dimension: Ø 58 mm

Display	AC: 5 integers, 2 decimals DC: 6 integers, 1 decimal AC indicator, without reset
---------	--

Digit height	4 mm
--------------	------

Digit color	integer: white on black decimal: 50 Hz – red on black 60 Hz – red on white
-------------	--

Counting range	AC: 99999,99 h, DC: 999999,9 h
----------------	--------------------------------

Reading accuracy	AC: 1/100 h (36 sec) DC: 1/10 h (6 min)
------------------	--

Weight	ca. 52 g
--------	----------

Housing color	standard black
---------------	----------------

Bezels	Ø 72 mm (for mtg. H) Ø 80 mm (for mtg. C)
--------	--

Mounting options	A – aluminum clamp C – anti-vibration boot & clamp Ø80 mm H – 3-screw front mount Ø72 mm
------------------	--

Electrical data

Operating voltage	24, 48, 60, 110, 120, 220, 230, 240, 400 VAC ± 10%, 50 or 60 Hz
-------------------	--

	6-30, 10-80, 110, 220 VDC ± 10%
Current consumption	AC: max. 8 mA DC: max. 9 mA

Accuracy	AC: ± 0,02 % DC: ± 0,002 %
----------	-------------------------------

Connection	flat pin 6,3x0,8 with screw flat pin 6,3x0,8
------------	---

Ambient conditions

Operating temperature	AC: -25° C .. +80° C DC: -20° C .. +70° C
-----------------------	--

Storage temperature	AC: -40° C .. +80° C DC: -20° C .. +70° C
---------------------	--

Relative humidity	max. 80% at +25° C
-------------------	--------------------

Protection	IP65 front IP00 terminals
------------	------------------------------

Approvals	CE Mark UL E171200
-----------	-----------------------

RoHS compliant

Ordering

HK 47 . x x / x x x / x x

Mounting

A – aluminum clamp
C – anti-vibration boot & clamp
Ø80 mm
H – 3-screw front mount
Ø72 mm

Front dimension

4 – Ø 58 mm
5 – Ø 72 mm
6 – Ø 80 mm

Front protection

3 – IP65
4 – IP67

Connection

1 – flat pin 6,3x0,8
with screw
2 – flat pin 6,3x0,8

Package

P – single
S – group

Voltage (specify)

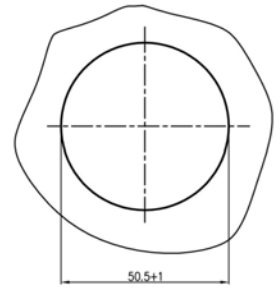
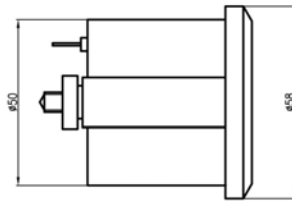
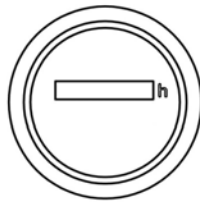
24, 48, 60, 110, 120,
220, 230, 240, 400 VAC

6-30, 10-80, 110, 220
VDC

Frequency

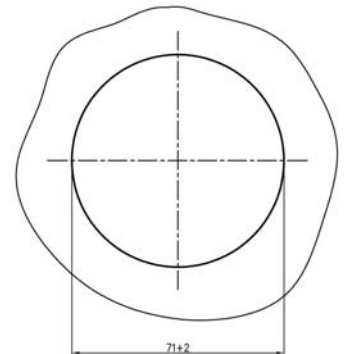
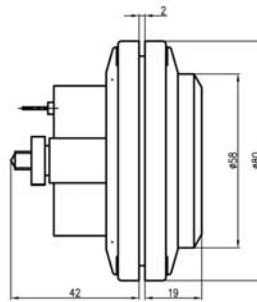
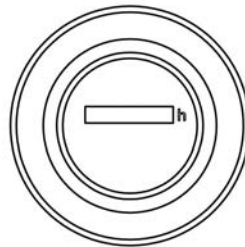
50 Hz
60 Hz

Hour meter



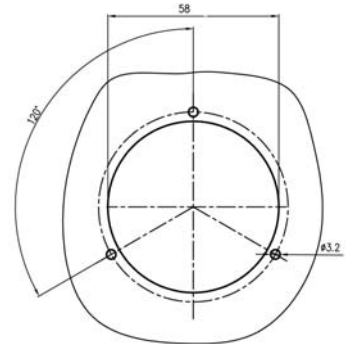
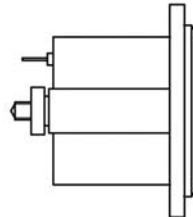
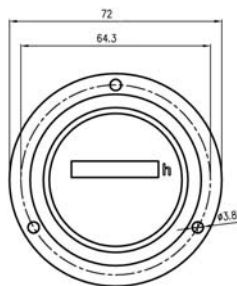
HK 47 – mounting A

Panel cut-out



HK 47 – mounting C

Panel cut-out



HK 47 – mounting H

Panel cut-out

