

Data Sheet

012 and 013
Saxon Series
Panel Meters



Application

A range of short scale panel meters that comply with Internationally recognised specifications. Their rugged design will suit demanding environmental applications.

Features

- Two case sizes available: 2^{1/2}, 3^{1/2} inches
- Dust and water jet protected to IP54 (NEMA 4)
- Withstands high levels of shock, vibration, dirt and humidity .
- Complies with international standards:
- IEC51 (EN60051) or ANSI-C39.1
- UL approved
- Instruments comply with EN61010-1 and meets IEC414 Dielectric Test

Elapsed Time Meter and Frequency Meter

Voltage	: 100/125V, 200/250V
Frequency	: 45Hz or 55Hz 55Hz or 65Hz 45Hz or 65Hz
Burden	: 4VA Maximum

Moving Iron A. C. Ammeters & Voltmeters

Accuracy Class	: 4VA Maximum
Rating	
Ammeters	: 1 to 30A
Voltmeters	: 10V to 750V

Overload

Ammeters	: x1.2 for 2 hours x10 for 5 seconds
Voltmeters	: x1.2 for 2 hours x2 for 5 seconds

Moving Coil D. C. Ammeters & Voltmeters

Accuracy Class	: 1.5
Rating	
Ammeters	: 100mA to 30A
Voltmeters	: 50mV - 600V

Applicable Standards

Nominal case and cutout dimensions for indicating electrical instruments.	: IS 2419 DIN 43700
Scale and pointer for electrical measuring instruments.	: IS 1248 DIN 43802
Connections and Terminal markings for panel meters	: IS 1248 DIN 43807
Terminal bolts / leads	: DIN 46200/46282
Clamp straps for connections.	: DIN 46282
Safety requirements and protective measures for Electrical indicating instruments and their accessories.	IS 9249 DIN 40050 / 8-70 VDE 0110 /11-72 VDE 0410 /10-76 IEC 529,IEC 1010

Performance specifications for direct acting indicating analogue electrical measuring instruments & their accessories	: IS 1248 IEC 51/DIN EN 60051 DIN 43701
Environmental conditions	: IS 1248 IS: 9000, Part 5, 7, 8, VDE / VDI 3540

Front frames for indicating measuring instruments principle dimensions. : DIN 43718

UL Combustibility class. : UL 94 V-O

Technical conditions of delivery for electrical instruments. : DIN 43701

Mechanical strength (Free fall test, vibration test) : IS 1248/IEC 51
IS 9000
VDE 0411, part I,
Sec.43/44, IEC 1010

E M C compliance as per following standards:
E N 50081-2,EN 50082-2,N 55011/CISPR 11,
EN 60555-2,IEC 555-2
EN 61000-4-4/IEC 1000-4-4,
EN 61000-4-2/IEC 1000-4-2,
EN 61000-4-5/IEC 1000-4-5,ENV 50140.

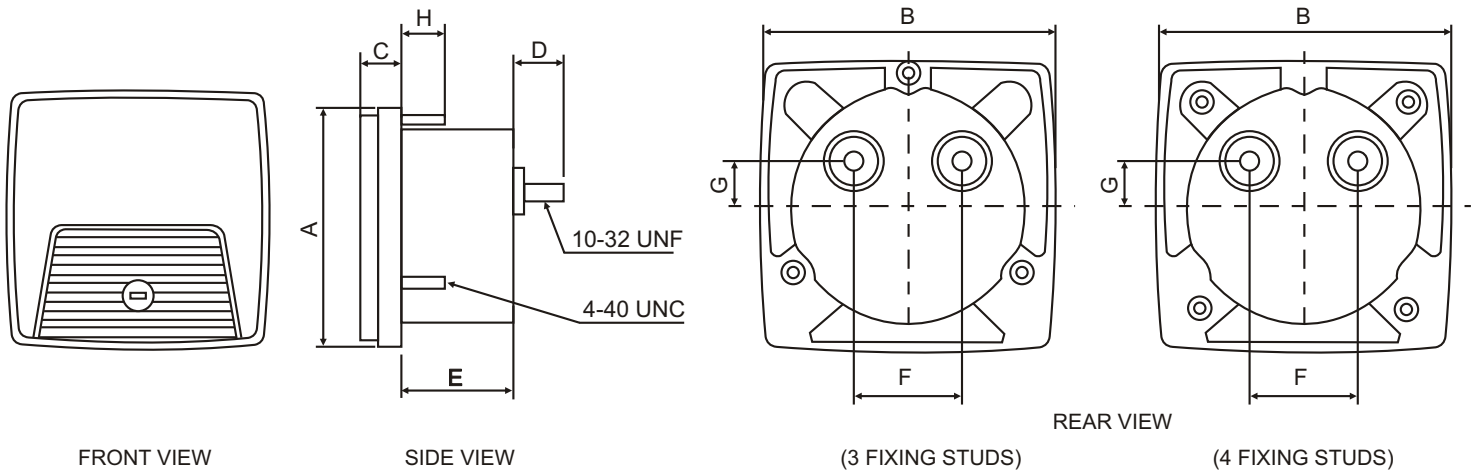
Comply with following European directives : 89 / 336/ EEC (EMC directive), 73 / 23 / EEC (low voltage directive) & amendment 93 / 68 / EEC, for CE marking.

Specifications

A. C. AMMETERS -TRUE RMS READING	
RATING	SCALING
5A	0-5A
10A	0-10A
15A	0-15A
20A	0-20A
30A	0-30A
60A	0-60A
1A	Transformer Rated
5A	Transformer Rated
A. C. VOLTMETERS -TRUE RMS READING	
150V	0-150V
300V	0-300V
600V	0-600V
750V	Transformer Rated
D. C. AMMETERS	
0-1mA	**
0-5mA	0-5mA
0-10mA	0-10mA
0-20mA	0-20mA
0-50mA	0-50mA
0-100mA	0-100mA
0-200mA	0-200mA
0-500mA	0-500mA
0-600mA	0-600mA
0-1A	0-1A
0-2A	0-2A
0-4A	0-4A
0-5A	0-5A
0-6A	0-6A
0-10A	0-10A
0-20A	0-20A
0-30A	0-30A

MILLIAMMETERS - SUPPRESSED ZERO	
4-20mA	**
D.C. VOLTMETERS (Sensitivity 1000W/Volt)	
0-50mV	**
0-100mV	**
0-15V	0-15V
0-30V	0-30V
0-50V	0-50V
0-150V	0-150V
0-300V	0-300V
0-600V	0-600V
FREQUENCY METERS, 120V (Self Contained)	
CENTRE FREQ.	SCALE
50Hz	45-55Hz
55Hz	45-65Hz
60Hz	55-65Hz
400Hz	360-440Hz

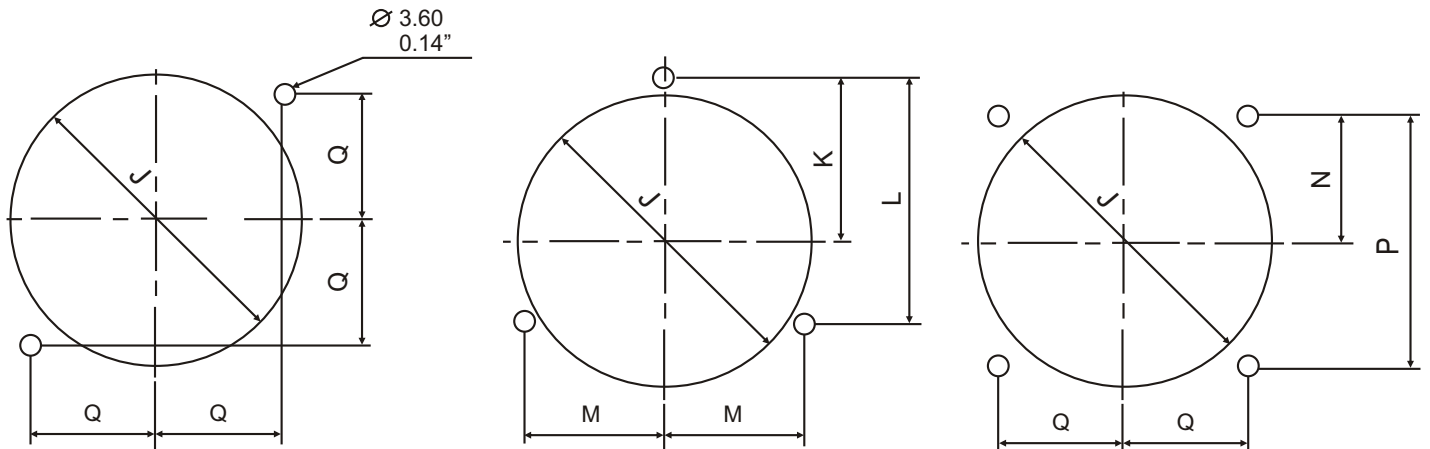
Dimensions



	A	B	C	D	E	F	G	H	J	K	L	M	N	P	Q
2 ½ mm	68.6	68.6	11.8	14.6	32.0	25.4	10.4	12.7	55.9	31	46.5	26.9	23.9	47.8	23.9
Inch	2.70	2.70	0.46	0.57	1.26	1.00	0.41	0.50	2.20	1.22	1.83	1.06	0.94	1.88	0.94
3 ½ mm	88.9	88.9	11.8	14.6	36.0	25.4	10.4	12.7	69.9	40.2	60.3	34.8	28.5	57.0	28.5
Inch	3.5	3.5	0.46	0.57	1.42	1.00	0.41	0.50	20.75	1.58	2.37	1.37	1.12	2.24	1.12

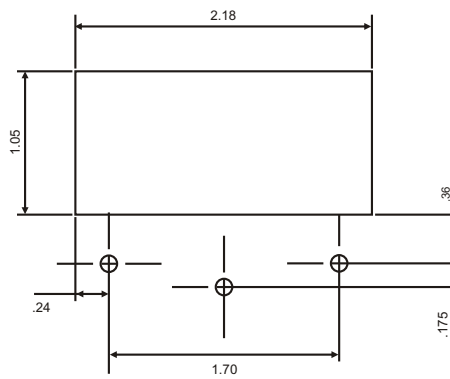
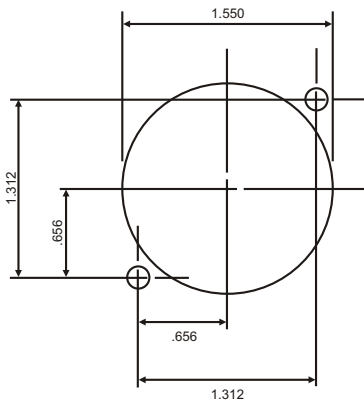
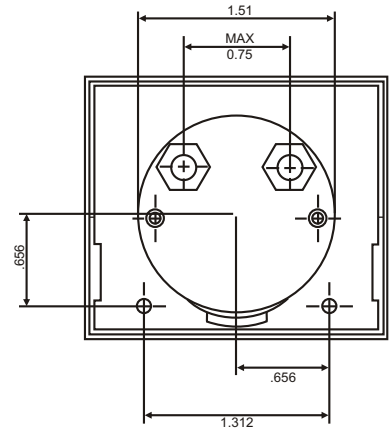
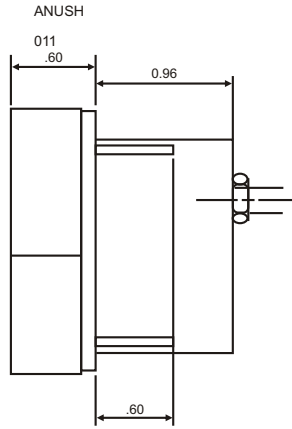
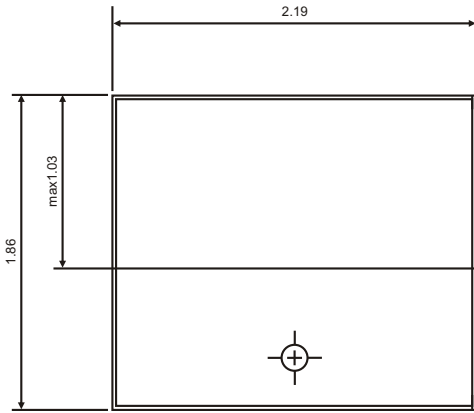
PANEL CUT-OUT :-

Specify number of fixing studs when ordering



Dimensions

A) 012



RISHABH INSTRUMENTS
 Measure, Control & Record with a Difference

RISHABH INSTRUMENTS PVT.LTD.
 F-31, MIDC, Satpur, Nashik-422 007, India.
 Tel.: +91 253 2202160, 2202202 Fax : +91 253 2351064
 E-mail : India :- marketing@rishabh.co.in
 International :- exp.marketing@rishabh.co.in
 www.rishabh.co.in